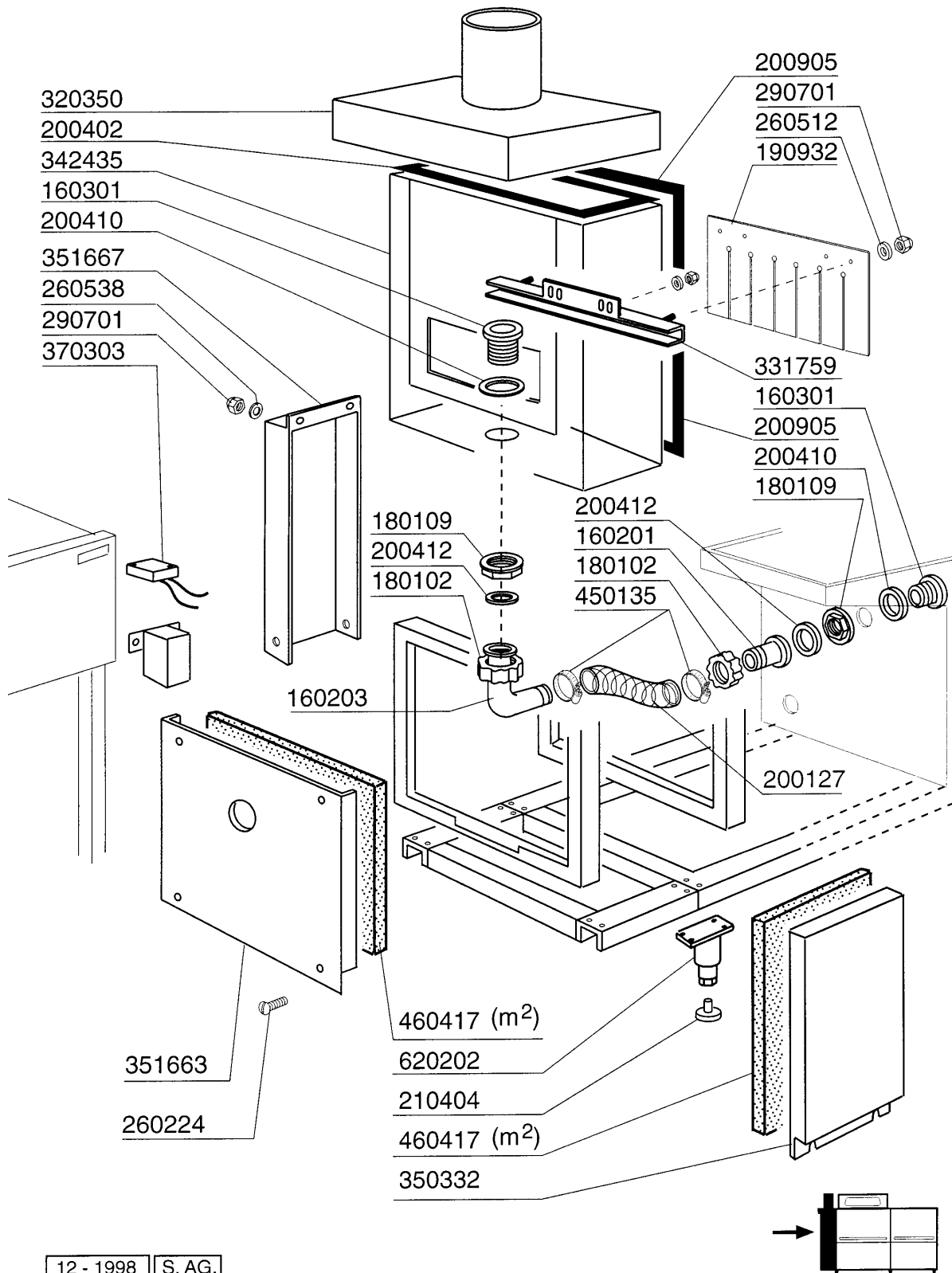


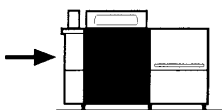
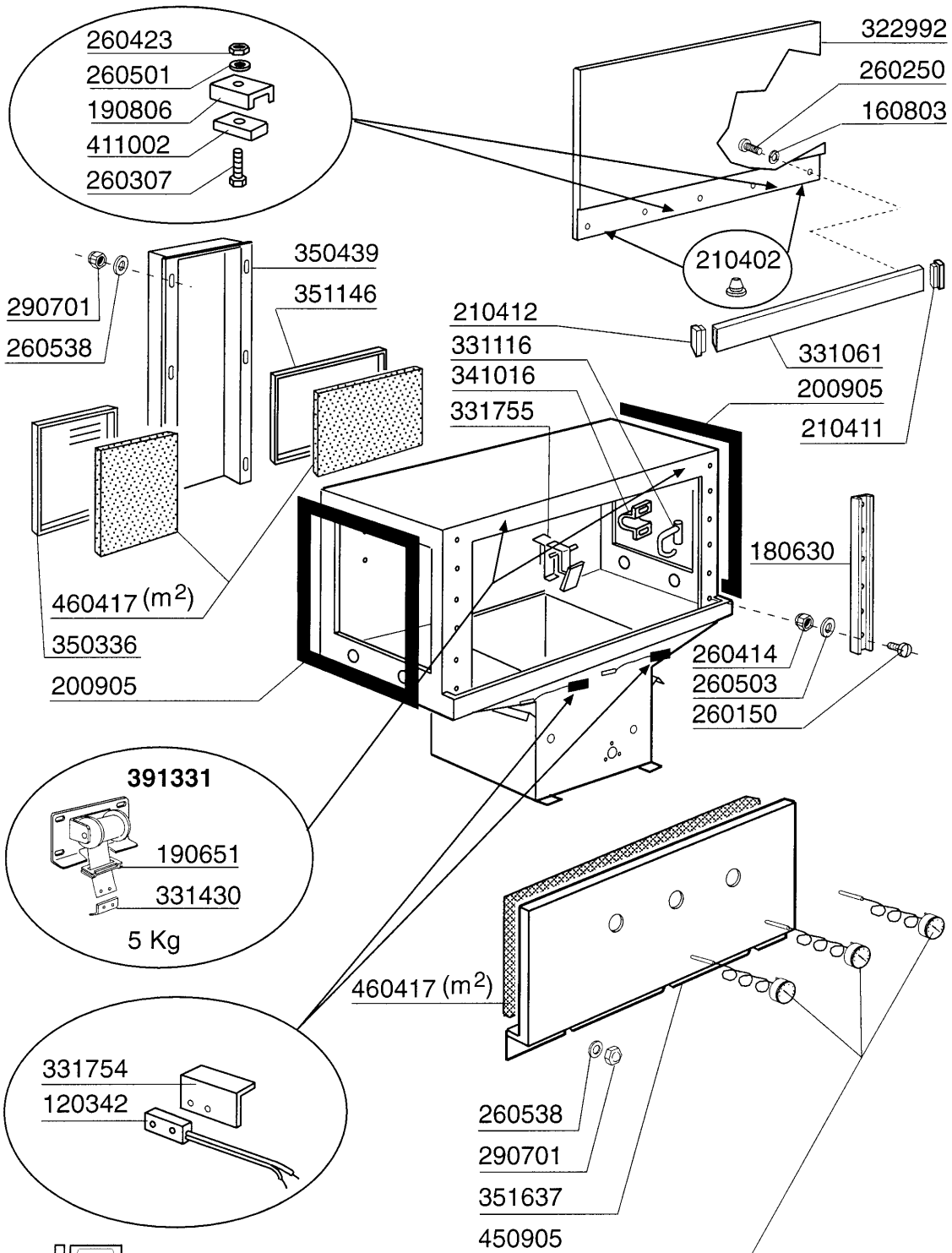
## 2 - Entry splash hood



12 - 1998 S. AG.

## 2 - Entry splash hood

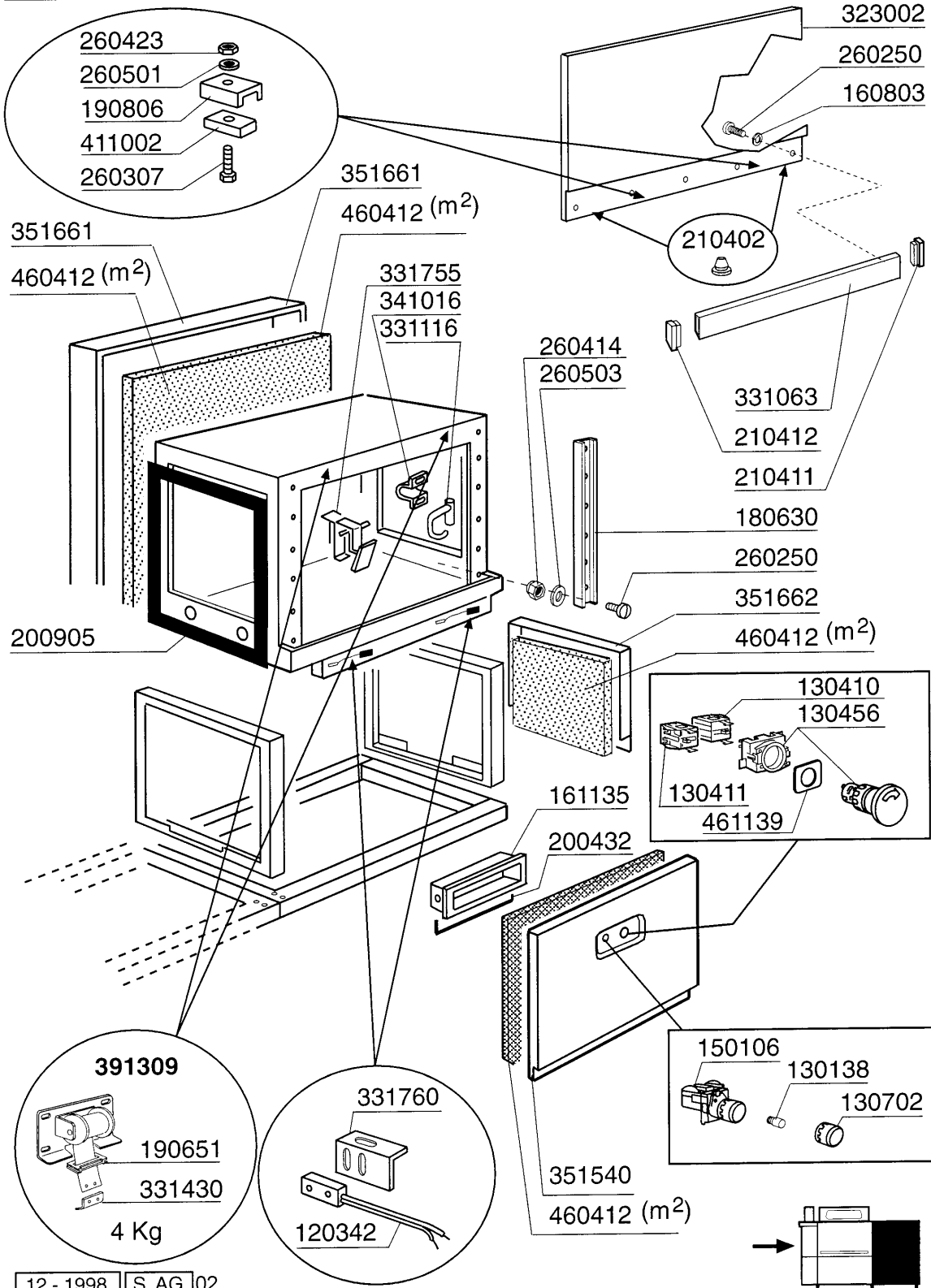
CODE	DESCRIPTION
160201	ELBOW F.TANK INLET MOPLEN
160203	ELBOW 1"1/2 N-S-F-C /DRAIN
160301	DRAIN OUTLET 1"1/2 C-S-N
180102	DRAIN PIPE NUT 1"1/2 F45-55
180109	LOCK NUT 1 1/2"
190932	CURTAIN ENTRY LAV
200127	PVC HOSE D.35
200402	SELF-ADHES.RUBB.SPONGE STRIPS
200410	DRAIN OUTL.WASH.1 1/2"65X47X2
200412	GASKET DRAIN 11/2" 45X33X3
200905	SELFADHESIVE GASKET 4X35
210404	BLACK RUBBER FOOT S90 NE SE
260224	TB-SCREW 6X15 B23-10-11-12
260512	ST/ST GROWER WASHER D6
260538	WASHER 18X6X1,5 ST/ST
290701	HEXAGON BLIND NUTS GM H12
320350	TOP FOR SPLASH HOOD WITH COLLA
331759	SUPPORT
342435	GUIDE
350332	PREWASH PANEL
351663	PANEL LAV
351667	VAR.DRIVE MOTOR PAN. PROTECT.
370303	PHOTOCELL
450135	CLAMP FE ZN. 44-56 H=12,2
460417	VIBROCELL
620202	WASH COLUMN F1



### 3 - Wash Hood

CODE	DESCRIPTION
120342	DOR MAGNETIC SWITCH
160803	GASKET D.5
180630	DOUBLE SKINNED DOOR RUNNER -AC
190651	BUSH
190806	MAGNET HOUSING
200905	SELFADHESIVE GASKET 4X35
210402	PAD FOR DOOR 15-149
210411	RIGHT PLUG FOR ACR/AC HANDLE
210412	LEFT PLUG FOR ACR/AC HANDLE
260150	SCREW TE 10X16
260250	SCREW TB 5X20
260307	SCREW TSP 3X20
260414	SELF-LOCKING NUT M5
260423	SELF-LOCKING NUT M3
260501	STAINL.STEEL FLAT WASHER D3 UN
260503	STAINL.STEEL FLAT WASHER D5 UN
260538	WASHER 18X6X1,5 ST/ST
290701	HEXAGON BLIND NUTS GM H12
322992	DOOR AC-ACR 1300MM
331061	DOOR HANDLE AC-ACR 1300MM
331116	DOOR SECURITY HOOK
331430	BRACKET FOR DOOR SPRING
331754	DOOR MICRO SWITCH BRACKET FOR
331755	HOOK FOR DOOR SUPPORT
341016	BRAKET FOR DOOR SECURITY HOOK
350336	PANEL
350439	BACK COVER CHANNEL
351146	FRONT/BACK PANEL HEAT RECOVERY
351637	FRONT PANEL WITH THERMOMETERS
391331	SPRING ASSEMBLY KG. 5 MM 40
411002	PERMANENT MAGNET 24X12
450905	CAPIL.THERMOMETER D.52 1,5M
460417	VIBROCELL

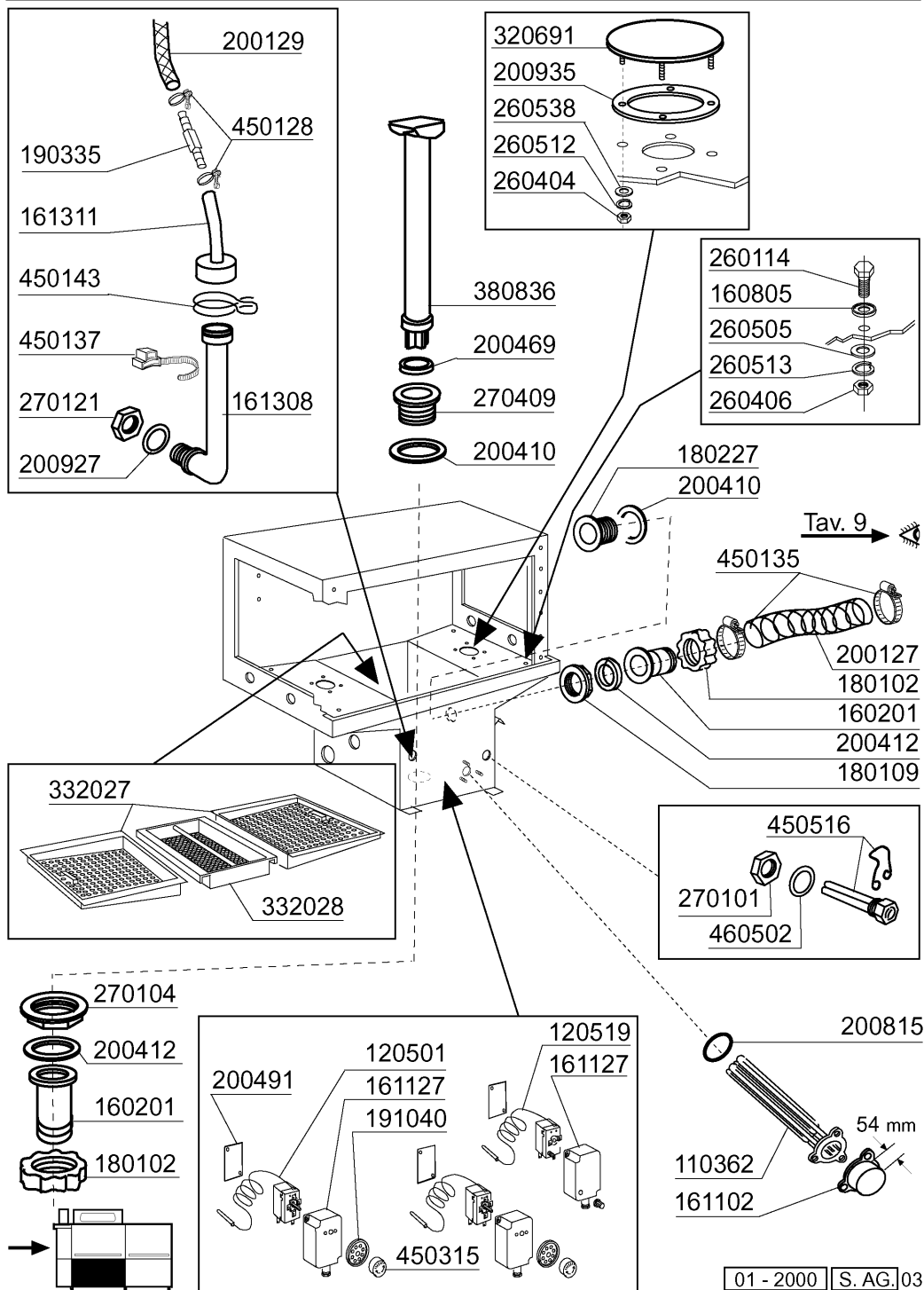
4 - Blower Dryer hood



12 - 1998 | S. AG. 02

#### 4 - Blower Dryer hood

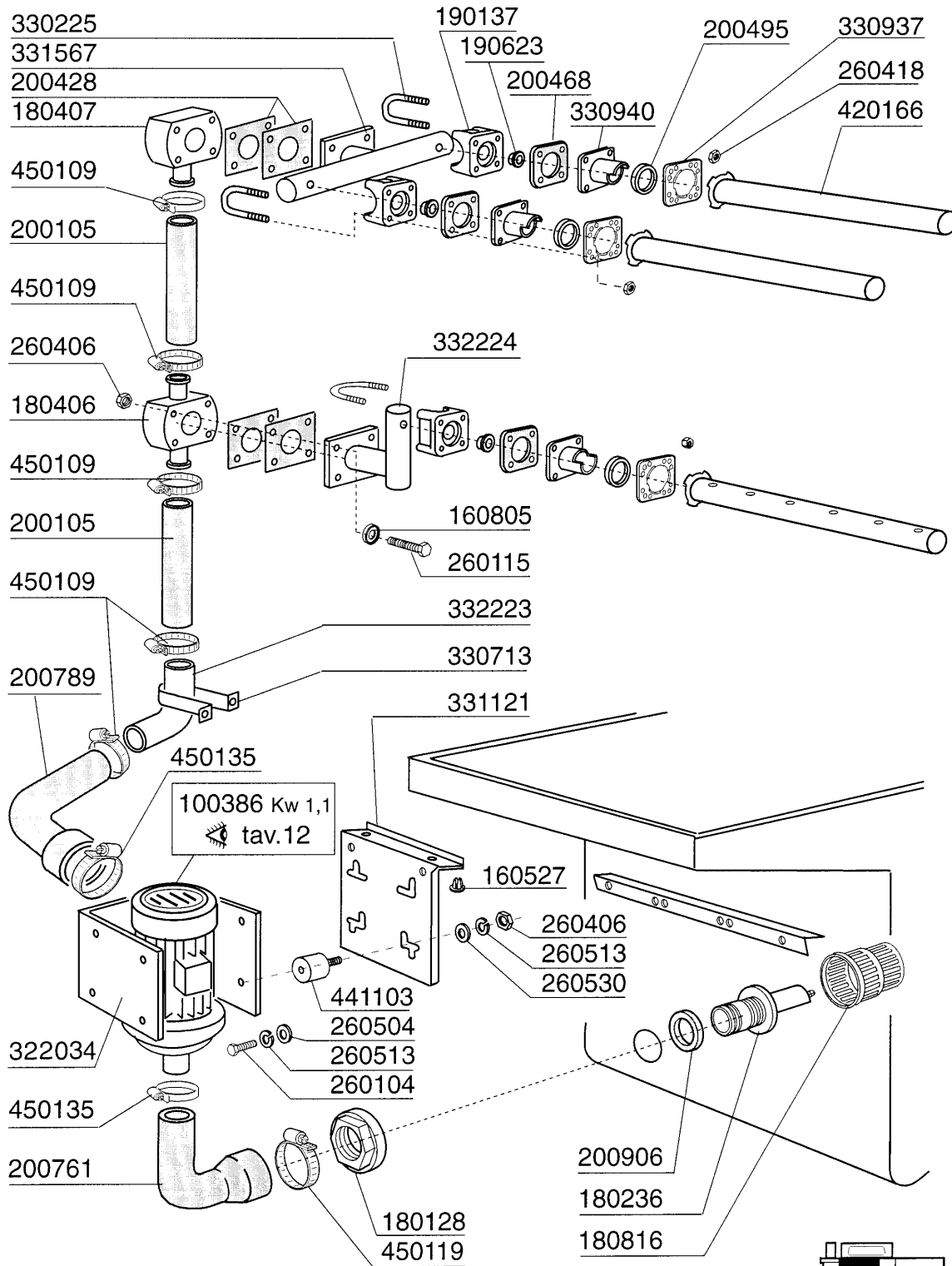
CODE	DESCRIPTION
120342	DOR MAGNETIC SWITCH
130138	LIGHT WITH BAYONET COUPLING 3W
130410	STOP CONTACT F40 CN RED
130411	START CONTACT YELLOW
130456	YELLOW PUSH BUTTON
130702	GREEN COLOUR. IND LAMP PLAST.C
150106	LAMP GREEN 22X5
160803	GASKET D.5
161135	PROTECTION FOR PUSH BUTTON NE
180630	DOUBLE SKINNED DOOR RUNNER -AC
190651	BUSH
190806	MAGNET HOUSING
200432	SPONGY RUBBER ADHESIV 8X4 NEOP
200905	SELFADHESIVE GASKET 4X35
210402	PAD FOR DOOR 15-149
210411	RIGHT PLUG FOR ACR/AC HANDLE
210412	LEFT PLUG FOR ACR/AC HANDLE
260250	SCREW TB 5X20
260307	SCREW TSP 3X20
260414	SELF-LOCKING NUT M5
260423	SELF-LOCKING NUT M3
260501	STAINL.STEEL FLAT WASHER D3 UN
260503	STAINL.STEEL FLAT WASHER D5 UN
323002	DOOR 800MM
331063	800MM DOOR HANDLE
331116	DOOR SECURITY HOOK
331430	BRACKET FOR DOOR SPRING
331755	HOOK FOR DOOR SUPPORT
331760	BRACKET
341016	BRACKET FOR DOOR SECURITY HOOK
351540	EMERG. PUSH BUTTON FRONT PANEL
351661	PANEL 800MM LAV
351662	PANEL LAV
391309	DOOR SPRING 4KG - 40MM
411002	PERMANENT MAGNET 24X12
460412	VIBROCELL
461139	PLATE



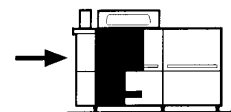
## 5 - Wash tank

CODE	DESCRIPTION
110362	HEAT.ELEMENT 9000W 220/380V
120501	THERMOSTAT 30/90°C
120519	SECURITY THERMOSTAT 95-125°C
160201	ELBOW F.TANK INLET MOPLN
160805	GASKET D.8
161102	ELEMENT COVER MOPL.
161127	BOX FOR THERMOSTAT
161308	AIR CHAMBER C95-155
161311	HOSE FOR AIR CHAMBER BC-BR-AC9
180102	DRAIN PIPE NUT 1"1/2 F45-55
180109	LOCK NUT 1 1/2"
180227	FLANGE
190335	CONNECTION
191040	FRAME F.THERMOSTAT KNOB
200127	PVC HOSE D.35
200129	HOSE 5X11 FOR PRESSURE SWITCH
200410	DRAIN OUTL.WASH.1 1/2"65X47X2
200412	GASKET DRAIN 1 1/2" 45X33X3
200469	STAND PIPE O RING 45X35,5X7
200491	BACK GASKET OF THERMOSTAT BOX
200815	O-RING F. HEAT.ELEM.
200927	GASKET FOR AIR TRAP
200935	GASKET
260114	SCREW TE 8X25
260404	STAINLESS STEEL NUTS D6 UNI 55
260406	NUT 8MA
260505	STAINL.STEEL FLAT WASHER D8
260512	ST/ST GROWER WASHER D6
260513	GROWER WASHER D8
260538	WASHER 18X6X1,5 ST/ST
270101	HEXAGON LOCK NUT 1/2"
270104	LOCK NUT 1" 1/2
270121	NUT FOR AIR TRAP
270409	DRAIN OUTLET AC-ACR
320691	PLATE
332027	WASH STRAINER LAV
332028	FILTER FOR LAV
380836	OVERFLOW PIPE MM.415
450128	CLAMP
450135	CLAMP FE ZN. 44-56 H=12,2
450137	COLLAR CONNECTION WITH BASE 31
450143	CLAMP D.39,7 X 37,7
450315	KNOB F. THERMOSTAT 90°C
450516	THERMOSTAT SHIELD FOR 2 TERMOS
460502	GASKET 30X21X2





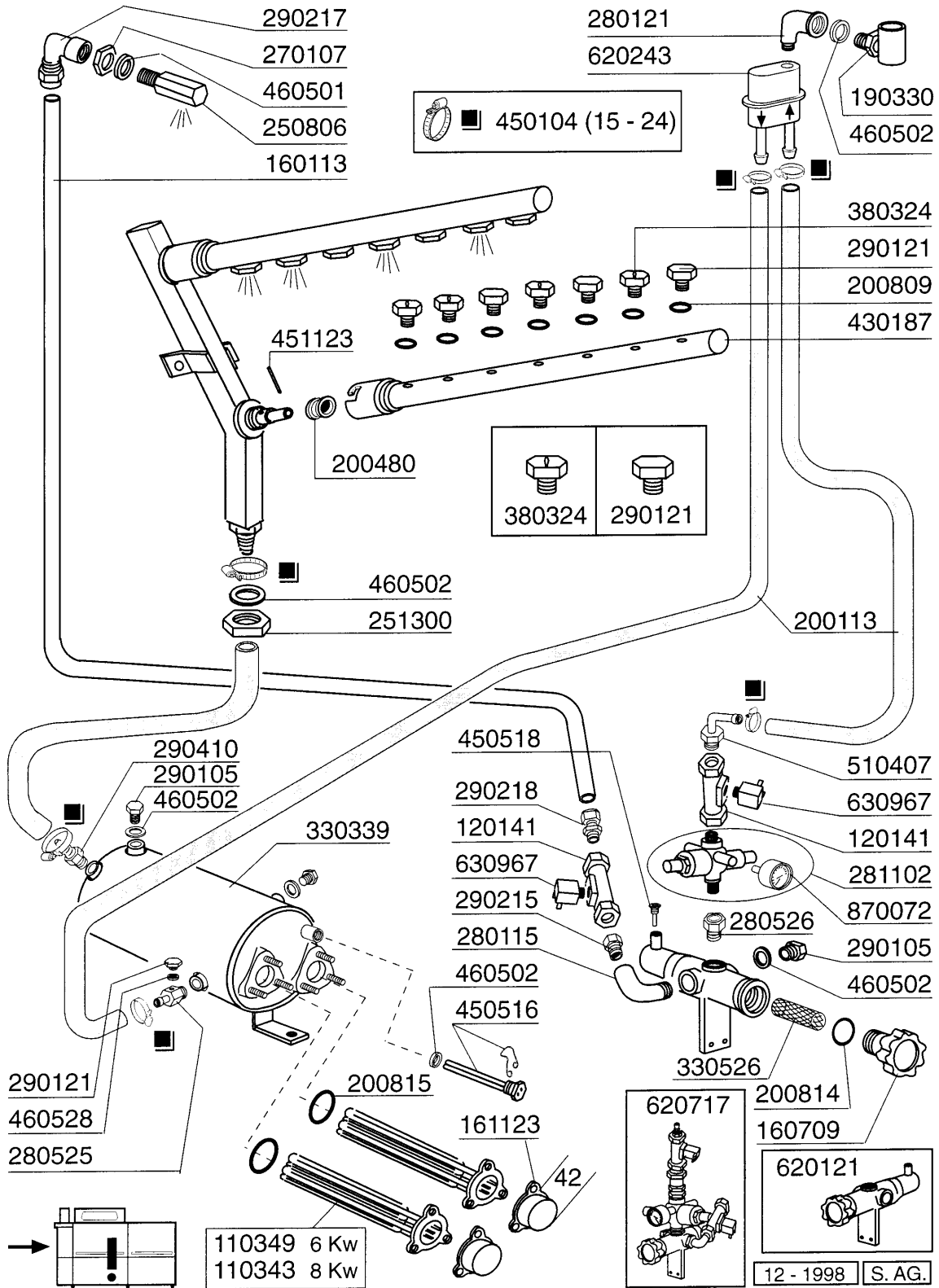
12 - 1998 | S. AG. 02



## 6 - Wash Column

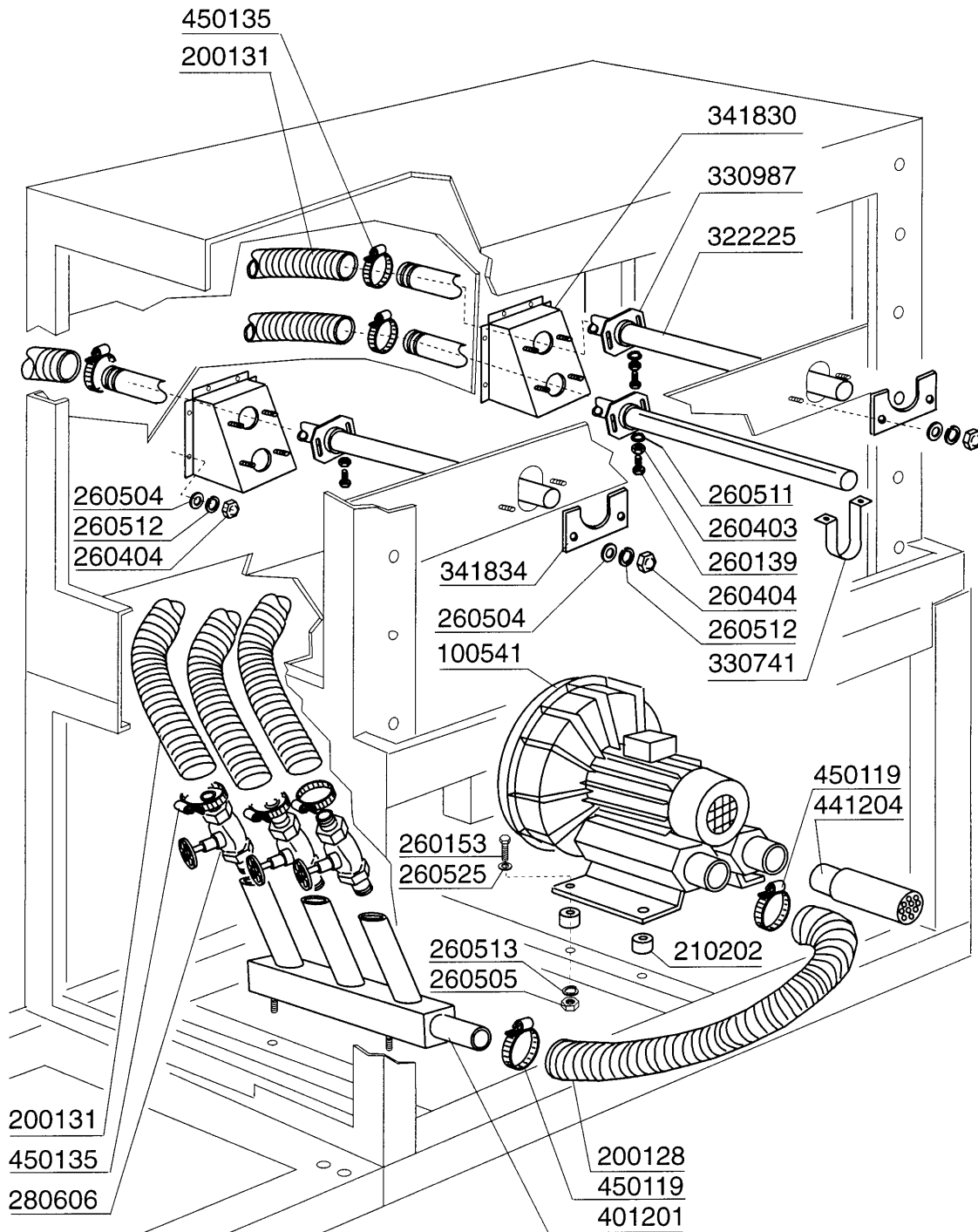
CODE	DESCRIPTION
100386	PUMP HP 1,5 220/380/50 1219
160527	PLUG 14,5X2X8
160805	GASKET D.8
180128	RING NUT 65,4 C140 C85
180236	PUMP SUCTION FOR AC-ACR-C155
180406	T-CONNECTOR F. WASHING S90-SNL
180407	ELBOW S90 S N L
180816	STRAINER OF INLET PUMP AC-ACR
190137	WASH ARM SUPPORT ACR
190623	RESTR.D.14 MOPL.S 3ØS PREWAS/P
200105	RUBBER HOSE 50X60
200428	GASKET 100X100X3 NEOTEN
200468	GASKET 70X70X3 NEOTEN NE
200495	GASKET FOR ACR S/S WASH ARM 43
200761	INLET HOSE - PREWASH AC -
200789	OUTLET HOSE FC
200906	GASKET D.92X66X2
260104	STAINL.ST TE-SCREW A2 6X16 UNI
260115	STAIN.ST.TE SCREW 8X20 A2 UNI
260406	NUT 8MA
260418	SELF-LOCKING NUT M4
260504	ST/ST FLAT WASHER D6
260513	GROWER WASHER D8
260530	STAINL.ST WASHER 7X22X2
330225	TIE ROD ACR WASH ARM SUPPORT
330713	BRACKET F. HOSE FIXING
330937	FLANGE
330940	FLANGE
331121	FIXING PLATE FOR PUMP ACR
331567	UPPER CONNECTION
332034	STRAINER
332223	OUTLET HOSE F. PREWASH 600MM A
332224	CONNEX.ELBOW F.LOWER WASH LV
420166	WASH ARM SE/1
441103	PUMP FEET
450109	CLAMP 50-65
450119	CLAMP FE ZN. 58-75 H=12,2
450135	CLAMP FE ZN. 44-56 H=12,2

7 - Rinse assembly

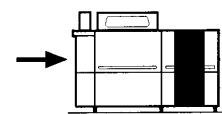


## 7 - Rinse assembly

CODE	DESCRIPTION
110343	HEAT.ELEM. 8000W 220/380V
110349	HEAT.ELEMENT 6000W 230/400V
120141	SOLEN.VALVE METAL.328000 D.1/2
160113	TUBE IN POL. RETIC. 12 EST
160709	KNOB OF MANIFOLD F. SOLEN. VAL
161123	HEAT.ELEMENT COVER H42 SNL
190330	TEE FOR VAACUM BREAKER
200113	RUBBER HOSE 12 X 22
200480	GASKET F. RINSE CONNECT.
200809	OR GASKET 1,78X8,73X12,29
200814	O-RING 34,52X41,58X3,53
200815	O-RING F. HEAT.ELEM.
250806	TANK FILL HOSE CLAMP - AC/ACR
251300	S/S LOCK NUT 1/2" AC-ACR
270107	BRASS LOCK NUT 3/8" FL803
280115	ELL 1/2"
280121	ELL FOR VAACUM BREAKER
280525	NIPPLE
280526	CONNECTION 1/2-3/4"
281102	1/2" ADJ VALVE C/W GAUGE TYPE
290105	BRASS-TE-PLUG 1/2"
290121	BRASS PLUG 1/8"
290215	1/2"BSP M/F UNION BRASS
290217	HOSE CLAMP ELBOW 12X3/8" TYPE
290218	NIPPLE 12X1/2"
290410	NIPPLE 1/2"
330339	BOILER D.220X640 F.TWO HEAT.EL
330526	FILTERS 22X28 SOLENOID V.MANIF
380324	RINSE JETS 52,5 80Ø OV1/8"
430187	RINSE ARM LVP
450104	CLAMP FE ZN H=12,5 15-24
450516	THERMOSTAT SHIELD FOR 2 TERMOS
450518	THERMOSTAT SHIELD FOR SNL
451123	ELASTIC PIN 4X16
460501	GASKET 24X17X2
460502	GASKET 30X21X2
460528	GASKET 15X10X2 FOR RINSE NIPPE
510407	NIPPLE FOR BOILER N S
620121	TWIN SOLENOID VALVE MANIFOLD
620243	VACUUM BREAKER (WITHOUT KIT)
620717	FILTER FOR SOLENOID ACS151-202
630967	COIL V24/50HZ E/V 328002
870072	PRESSURE CAUGE 0-4 ATM

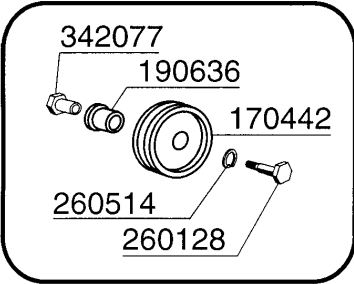


12 - 1998 S. AG.



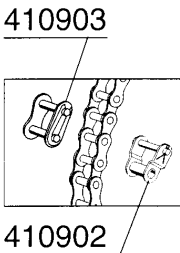
## 8 - Blower Dryer

CODE	DESCRIPTION
100541	VENTILATOR FOR DRYER LVP 4KW
200128	SUCTION HOSE
200131	HOSE D.50 PVC
210202	RUBBER FOOT GLASSWASHER
260139	SCREW TE 5X16
260153	SCREW TE 6X35
260403	NUTS D.5
260404	STAINLESS STEEL NUTS D6 UNI 55
260504	ST/ST FLAT WASHER D6
260505	STAINL.STEEL FLAT WASHER D8
260511	GROWER WASHER D.5
260512	ST/ST GROWER WASHER D6
260513	GROWER WASHER D8
260525	WASHER
280606	GATE VALVE 1-1/2" BRASS
322225	SUPPORT
330741	BRACKET F.WASH HOSE FIXING C3
330987	FLANGE
341830	ARM DRYER SUPPORT
341834	ARM DRYER SUPPORT "LAV"
401201	STAINLESS STEEL AIR MANIFOLD L
441204	FILTER FOR TRAY WASHER FAN
450119	CLAMP FE ZN. 58-75 H=12,2
450135	CLAMP FE ZN. 44-56 H=12,2



Tav. 9

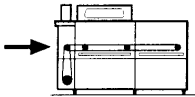
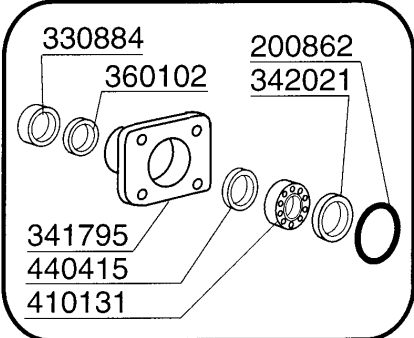
- 351653
- 451118
- 250204
- 441122
- 410233 Z=14
- 410801



- 410407
- 410303 = Z 50
- 441129
- 100266

342078  
60216  $\phi$ 12  
170440

351654

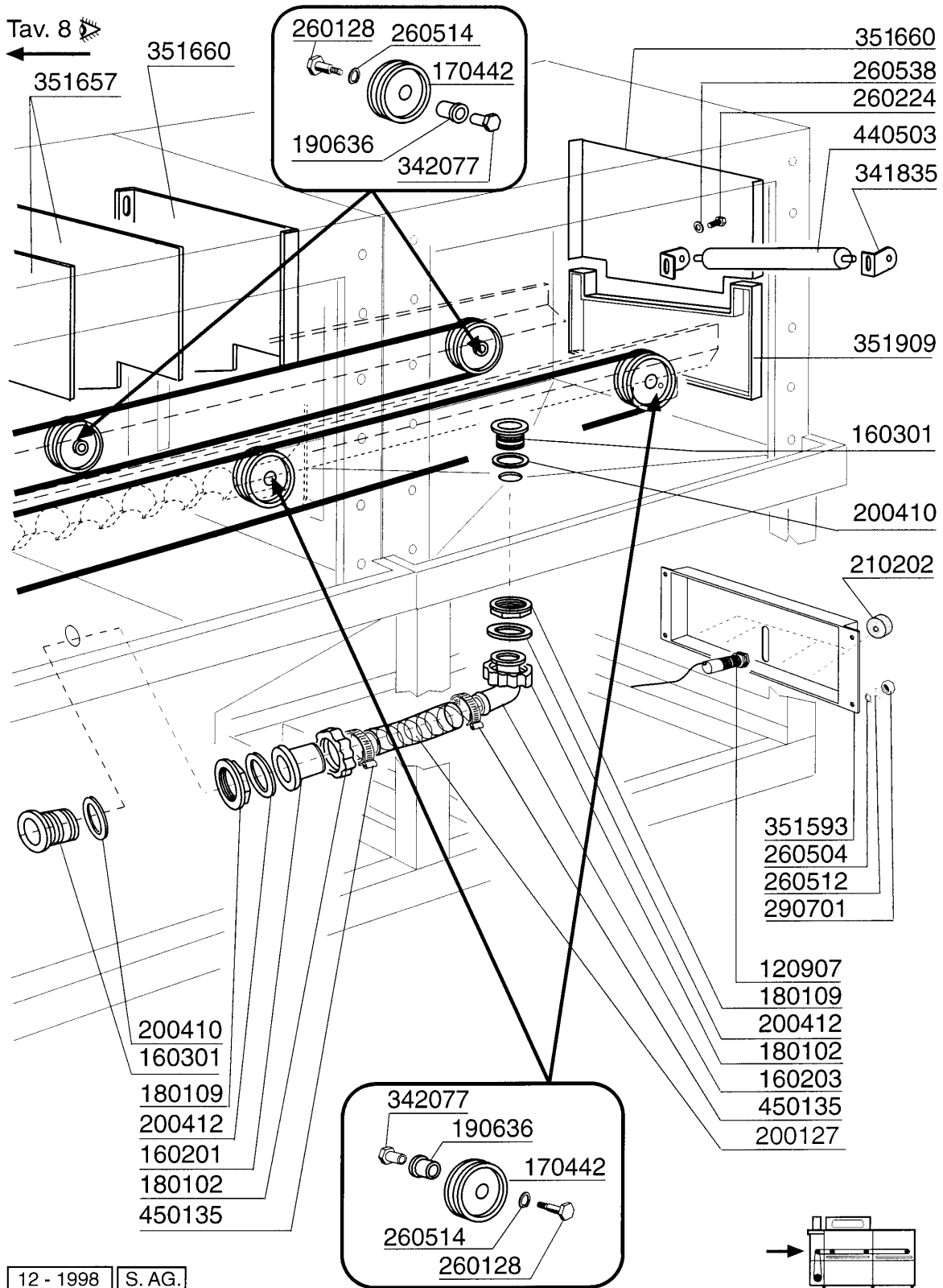


12 - 1998 S. AG.

9 - Drive unit

CODE	DESCRIPTION
100266	VARIABLE SPEED REDUCER 0,22KW
170440	WHEEL DRIVE ASSEMBLY
170442	WHEEL FOR POLYCORD
190636	BUSH FOR C95-155-165 WASH ARM
200862	GASKET OR
250204	GRUB SCREW 6X6
260128	SCREW TE 10X35
260514	GROWER WASHER D.10
330884	WASHER
341795	BEARINGS SUPPORT
342021	SPACER
342077	PIN
342078	DRIVE SPINDLE LV
351653	PANEL LV
351654	PANEL LV
360102	WASHER
410131	S/S BALL BEARING 6004 2RS 20X4
410233	TURNED PINION Z14-1/2"-D.17
410303	CROWN DISCS 50T 1/2" PITCH
410407	TORQUE LIMITER LC 1
410801	DRIVE CHAIN 1/2" N-S
410902	FALSE CHAIN LINK 1/2"
410903	CHAIN JOINT 1/2"
440415	GASKET MIM 20X30X5 (VITON)
441122	DRIVE SHAFT KEY 6X6X25 UNI 660
441129	DRIVE SHAFT KEY 6X6 L=32
451118	ELASTIC PIN 4X40

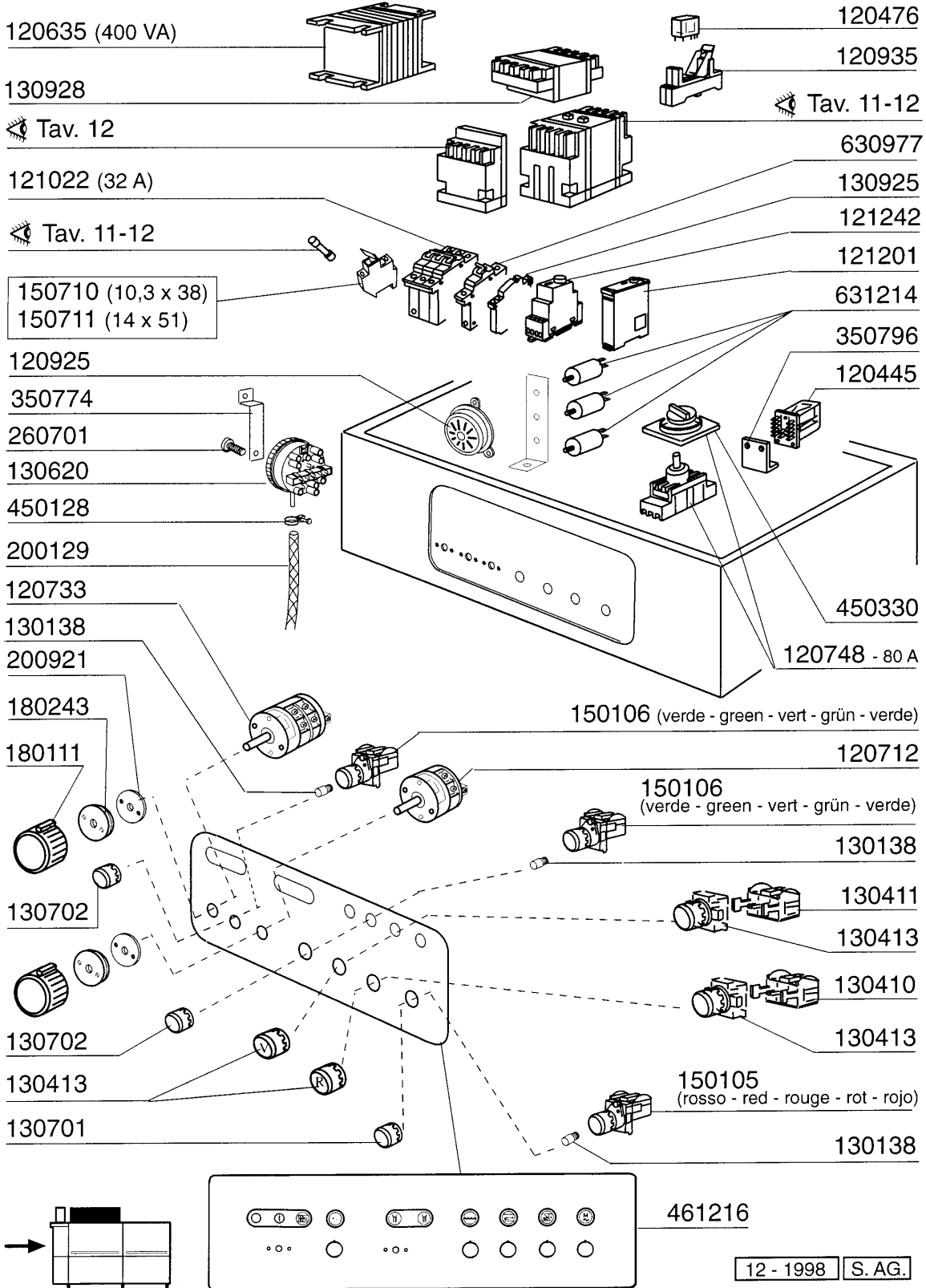




12 - 1998 S. AG.

10 - Drive unit




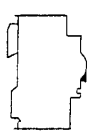

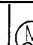
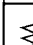

CODE	DESCRIPTION
120907	PHOTOCELL F.TRAY WASHER E3FDS-
160201	ELBOW F.TANK INLET MOPLEN
160203	ELBOW 1"1/2 N-S-F-C /DRAIN
160301	DRAIN OUTLET 1"1/2 C-S-N
170442	WHEEL FOR POLYCORD
180102	DRAIN PIPE NUT 1"1/2 F45-55
180109	LOCK NUT 1 1/2"
190636	BUSH FOR C95-155-165 WASH ARM
200127	PVC HOSE D.35
200410	DRAIN OUTL.WASH.1 1/2"65X47X2
200412	GASKET DRAIN 11/2" 45X33X3
210202	RUBBER FOOT GLASSWASHER
260128	SCREW TE 10X35
260224	TB-SCREW 6X15 B23-10-11-12
260504	ST/ST FLAT WASHER D6
260512	ST/ST GROWER WASHER D6
260514	GROWER WASHER D.10
260538	WASHER 18X6X1,5 ST/ST
290701	HEXAGON BLIND NUTS GM H12
341835	SUPPORT
342077	PIN
351593	PROTECTION FOR PHOTOCELL
351657	PANEL F. LV
351660	PANEL LV
351909	PANEL LAV
440503	ROLLERS F.SLAT BELT 1062V
450135	CLAMP FE ZN. 44-56 H=12,2


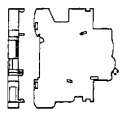


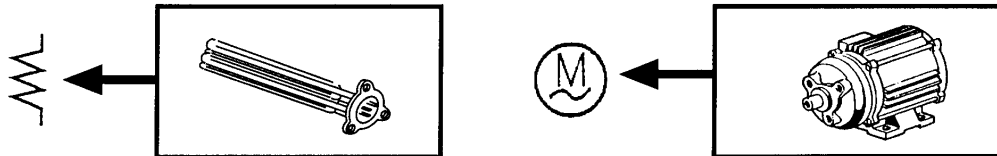
## 11 - Control Box


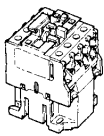

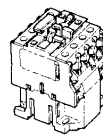
CODE	DESCRIPTION
120445	AUXILIARY RELAY S.B2/3 24V
120476	RELAY 16A 24V
120635	TRANSFORMER 400VA220-240-380-4
120712	2-POLES SWITCH 16AMP
120733	4-POLE SWITCH 25A 500V
120748	MAINSWITCH 80A 4P
120925	ACUSTIC SIGNAL
120935	SUPPORT
121022	CIRCUIT BREAKER 32A
121201	TIMER E21-F39 TRAY WASHER
121242	TIMER LAV1000
130138	LIGHT WITH BAYONET COUPLING 3W
130410	STOP CONTACT F40 CN RED
130411	START CONTACT YELLOW
130413	GREEN PUSH BUTTON
130620	PRESSURE SWITCH 3 LEVEL 50-30/
130701	RED COLOURED PLASTIC COVER IND
130702	GREEN COLOUR. IND LAMP PLAST.C
130925	CONTACT FOR CIRCUIT BREAKER
130928	CONTACT ABB 4NO
150105	LAMP RED D.22X5
150106	LAMP GREEN 22X5
150710	FUSE CARRIER 10,3X38 ART.21401
150711	FUSE CARRIER 14X51 ART.21501
180111	BLACK KNOB
180243	FLANGE
200129	HOSE 5X11 FOR PRESSURE SWITCH
200921	GASKET
260701	SCREW 3,5X9,5
350774	BRACKET
350796	BRACKET F. RELAY SUPPORT S
450128	CLAMP
450330	KNOB FOR MAIN SWITCH
461216	CONTROL PANEL LAV
630977	COIL FOR CIRCUIT BREAKER 24V
631214	ANTI-NOISE FILTER 4011135007 3

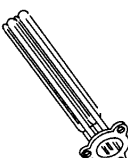
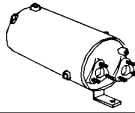
## 12 - Electrical parts for heatings elements

		220/240 V				380/415 V				
										
KW	A	MAGNETOTERMICO RESISTENZA MAGNETO-THERMIQUE RESISTANCE TERMO-MAGNETIC SWITCH FOR HEATHER TERMO-MAGNETISCHER SCHALTER FEIZKÖRPER MAGNETO-TERMICO RESISTENCIA		A	TELERUTTORE CONTACTEUR CONTACTOR SCHALTSCHÜTZ CONTACTOR	A	MAGNETOTERMICO RESISTENZA MAGNETO-THERMIQUE RESISTANCE TERMO-MAGNETIC SWITCH FOR HEATHER TERMO-MAGNETISCHER SCHALTER FEIZKÖRPER MAGNETO-TERMICO RESISTENCIA		A	TELERUTTORE CONTACTEUR CONTACTOR SCHALTSCHÜTZ CONTACTOR
	14	40	121023	 55	 30	120472	32	121022	 40	 26

<p>Cod. 630977 </p>	<p>Cod. 130925 </p>
<p>BOBINA DI SGANCIO V. 24 PER BOILER BOBINE DÉCROCHAGE V. 24 POUR SURCHAUFFEUR DISCONNECTING COIL V. 24 FOR BOILER AUSLÖSESPÜLE V. 24 FÜR BOILER BOBINA DESEMBRAGUE V. 24 POR BOILER</p>	<p>CONTATTO PER BOBINA DI SGANCIO CONTACT BOBINE DÉCROCHAGE CONTACT DISCONNECTING COIL CONTACT FÜR AUSLÖSESPÜLE CONTACTO POR BOBINA DESEMBRAGUE</p>

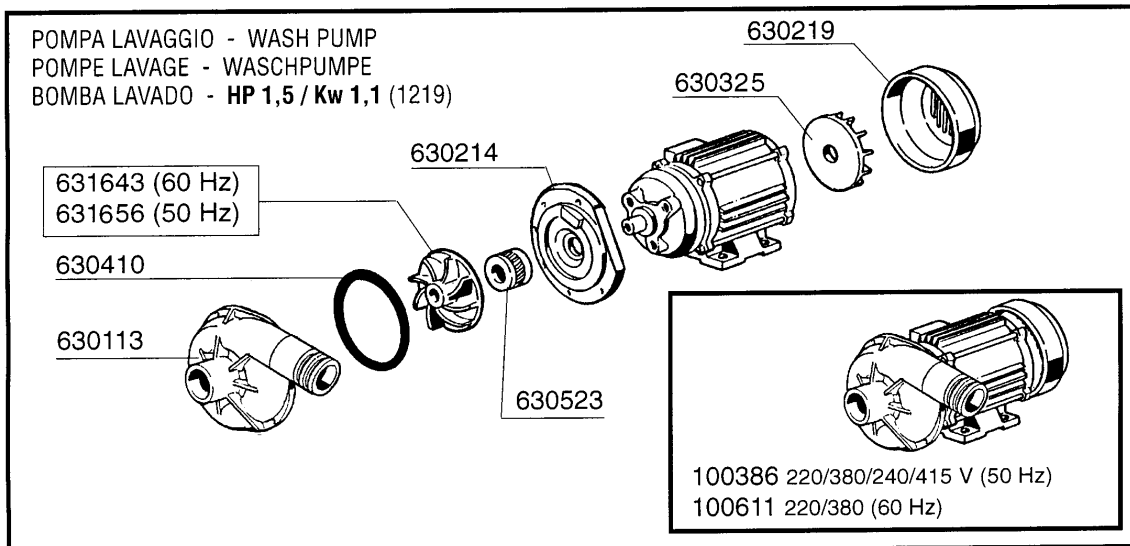


		220/240 V				380/415 V				
										
KW	A	FUSIBILI FUSIBLE FUZE SCMELZSICHERUNG FUSIBLE		A	TELERUTTORE CONTACTEUR CONTACTOR SCHALTSCHÜTZ CONTACTOR	A	FUSIBILI FUSIBLE FUZE SCMELZSICHERUNG FUSIBLE		A	TELERUTTORE CONTACTEUR CONTACTOR SCHALTSCHÜTZ CONTACTOR
	9	32	130237	26	120471	20	130248	12	120469	
14	40	130238	30	120472	32	130237	26	120471		

		220/240 V	240/415 V	14 Kw
	6 KW	110349	110383	
	8 KW	110343	110365	
9 KW	110362	110343		

## 12 - Electrical parts for heatings elements

CODE	DESCRIPTION
110343	HEAT.ELEM. 8000W 220/380V
110349	HEAT.ELEMENT 6000W 230/400V
110362	HEAT.ELEMENT 9000W 220/380V
110365	HEAT.ELEM. 9000W 255/440V-8KW
110383	HEAT.ELEMENT 6KW 240/415
120469	CONTACTOR ABB 12A 24V 50/60HZ
120471	CONTACTOR ABB 26A 24V 50/60HZ
120472	CONTACTOR ABB 24V 50/60HZ
121022	CIRCUIT BREAKER 32A
121023	CIRCUIT BREAKER 40A
130237	FUSE 14X51 32A GL14332
130238	FUSE 14X51 40A GF 14340
130248	FUSE 20A-10,3X38 13320 G.F.
130925	CONTACT FOR CIRCUIT BREAKER
630977	COIL FOR CIRCUIT BREAKER 24V



COMPONENTI ELETTRICI POMPA - COMPOSANTS ELECTRIQUES POMPE  
 ELECTRICAL PARTS FOR PUMP - ELEKTRISCHE TEILE FÜR PUMPE - PIEZOS ELECTRICOS PARA BOMBA

220/240 V								380/415 V					
POMPA POMPE PUMP PUMPE BOMBA		FUSIBILI FUSIBLE FUZE SCHMELZSICHERUNG FUSIBLE		TELERUTTORE CONTACTEUR CONTACTOR SCHALTCHÜTZ CONTACTOR		TERMICA TERMIQUE OVERLOAD RELAY TERMOAUSLÖSER TERMICO		FUSIBILI FUSIBLE FUZE SCHMELZSICHERUNG FUSIBLE		TELERUTTORE CONTACTEUR CONTACTOR SCHALTCHÜTZ CONTACTOR		TERMICA TERMIQUE OVERLOAD RELAY TERMOAUSLÖSER TERMICO	
HP	Kw	A	Cod.	A	Cod.	A	Cod.	A	Cod.	A	Cod.	A	Cod.
1,5	1,1	8	130232	9	120468	4,5 ÷ 6,5	120864	4	130230	9	120468	2,8 ÷ 4	120863

		220/240 V 3 ~						380/415 V 3 ~						
		KW	TELERUTTORE CONTACTEUR CONTACTOR SCHALTCHÜTZ CONTACTOR	A	TERMICA TERMIQUE OVERLOAD RELAY TERMOAUSLÖSER TERMICO	A	FUSIBILI FUSIBLE FUZE SCHMELZSICHERUNG FUSIBLE	A	TELERUTTORE CONTACTEUR CONTACTOR SCHALTCHÜTZ CONTACTOR	A	TERMICA TERMIQUE OVERLOAD RELAY TERMOAUSLÖSER TERMICO	A	FUSIBILI FUSIBLE FUZE SCHMELZSICHERUNG FUSIBLE	A
	0,22	120468	9	120861	1,3÷1,8	130260	2	120468	9	120860	1+1,4	130260	2	
	4	120471	26	120868	13÷19		20 AM	120470	16	120867	10÷14	130235	16	

## 13 - Pumps/Motors

CODE	DESCRIPTION
100386	PUMP HP 1,5 220/380/50 1219
100611	PUMP HP 1,5 380/3/60HZ F1219
120468	CONTACTOR ABB 9A 24V 50/60HZ
120470	CONTACTOR ABB 16A 24V 50/60HZ
120471	CONTACTOR ABB 26A 24V 50/60HZ
120860	OVERLOAD RELAY ABB 1-1,4A
120861	RELAY 1,3-1,8 A
120863	OVERLOAD RELAY ABB 2,8-4A
120864	OVERLOAD RELAY ABB 4,5-6,5A
120867	OVERLOAD RELAY ABB 10-14A
120868	OVERLOAD RELAY ABB 13-19A
130230	FUSE 10,3X38 4A AM13004
130232	FUSE 10.3X38 8A AM13008
130235	FUSE 10.3X38 16A AM13016
130260	FUSE 10,3X38 2A AM 13001
630113	VOLUTE FIR HP0,5-1,55
630214	FLANGE PUMP HP0,75-1-1,5
630219	FAN HOUSING FIR HP.0,75-1
630325	COOLING FAN F.PUMP 1219/2241
630410	O-RING PUMP FI HP0,5-0,75-1
630523	SEAL FOR PUMP FIR1219
631643	IMPELLER HP1/1,5 60HZD.90-1219
631656	PUMP IMPELLER 1HP - 2255